

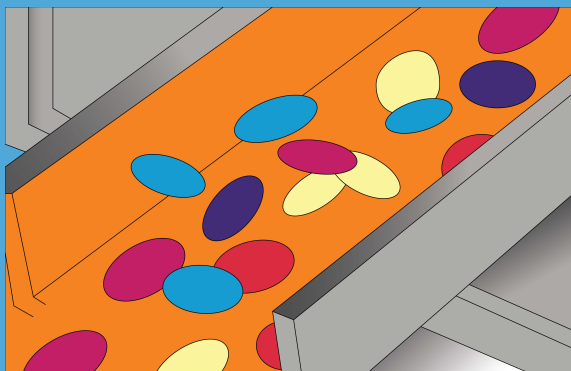
DeWAL® Pressure Sensitive Tapes for Roller Wrap

Features:

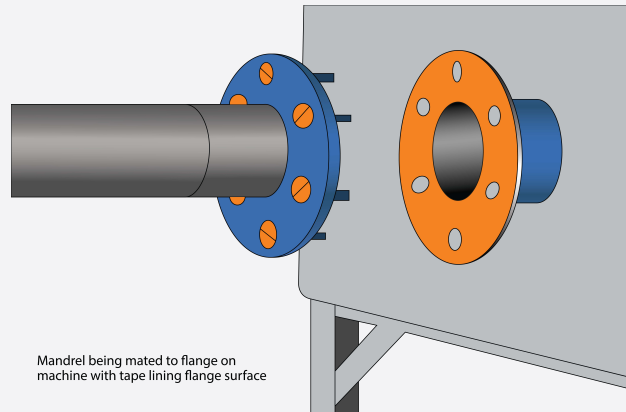
- Temperature range up to 260°C (500°F)
- Good insulation
- Low friction coefficient
- UL Certified component for flame retardant and cold resistant properties
 - File No. E179854
(DW204-2HD, DW204-3HD, DW204-5HD)

Benefits:

- Outstanding mold release properties
- Tensitized PTFE enhances strength and durability for extended use during manufacturing process
- Excellent cycling performance
- Chemical inertness
- Superior cold and heat resistance
- Clean adhesive surface, with residue free removal
- No air bubbles within tape component



Pellet shaped material flowing through tape lined chute

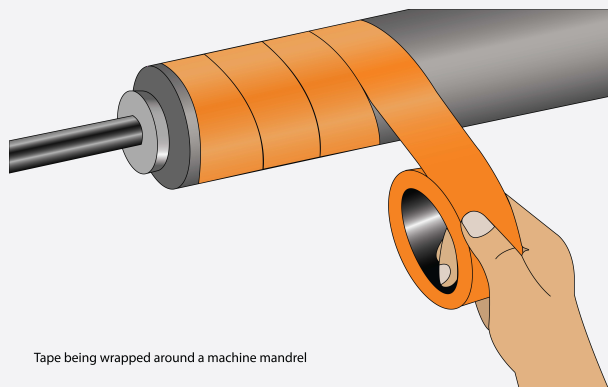


Mandrel being mated to flange on machine with tape lining flange surface

Constructed of highly tensitized PTFE film coated with high temperature silicone adhesives, DeWAL® Pressure Sensitive Tapes have enhanced performance characteristics similar to those of PTFE tape.

The most popular high-density PTFE tapes are DW204-2HD, DW204-3HD, DW204-5HD, DW662, and DW664 which are used for wrapping the nip roller to prevent sticking.

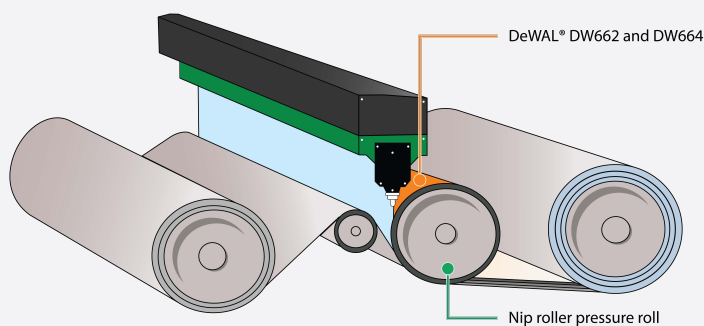
These high modulus tapes are suited for roll wrapping in the production of polyethylene laminates. They are suitable for laminating thicker sheets like cloth for long-run continuous lamination operations. The superior tensile strength of DeWAL Pressure Sensitive Tapes makes one-piece removal possible.



Tape being wrapped around a machine mandrel

DeWAL® Pressure Sensitive Tapes for Roller Wrap

Where DeWAL Pressure Sensitive Tapes can be used:



Overall roller wrap application on machine

PRODUCT	BACKING SUBSTRATE	COLOR	BACKING THICKNESS, Minimum	ADHESIVE THICKNESS, Minimum	ADHESION, Typical [ASTM-D 1000]	TENSILE STRENGTH, Typical [ASTM-D 3759]	ELONGATION, Typical [ASTM-D 3759]	Gov't Specification
			mm (in)	mm (in)	g/cm (oz./in)	MPa (psi)	%	
DW204-2HD	PTFE Film	Brown	0.043 (0.0017)	0.030 (0.0012)	390 (35)	121 (17,535)	147	Mil-A-A59474 Type 1, Class 1
DW204-3HD			0.069 (0.0027)	0.030 (0.0012)	424 (38)	125 (18,132)	159	Mil-A-A59474 Type 1, Class 2
DW204-5HD			0.114 (0.0045)	0.030 (0.0012)	480 (43)	101 (14,627)	215	Mil-A-A59474 Type 1, Class 4
DW662		Blue	0.056 (0.002)	0.030 (0.0012)	335 (30)	107 (15,486)	204	-
DW664		Orange	0.089 (0.0035)	0.030 (0.0012)	446 (40)	71 (10,319)	211	-

All tapes within the DW204 series, DW662, and DW664 are coated with proprietary **silicone adhesives**.

Typical values shown are from testing at date of manufacture and should not be used for specification limits. All metric conversions are approximate.